

## Bulletin 855BS, 855BM, 855BL — Industrial Round Beacons



### Bulletin 855BS — 90 mm Beacons

855BS –  $\frac{S}{a}$   $\frac{10}{b}$   $\frac{RH}{c}$   $\frac{3}{d}$

a	
Base Type	
Code	Description
S	Surface mount <sup>(1)</sup>
N	1/2 in. NPT conduit mount
T	25 mm tube mount <sup>(2)</sup>

b	
Voltage	
Code	Description
12	12V AC/DC
24	24V AC/DC
10	120V AC
20	240V AC
35	24/48V AC/DC
45	120/240V AC/DC

c	
Function	
Code	Description
DH	Steady halogen
FH	Flashing halogen
RH	Rotating halogen
BR	Xenon tube strobe <sup>(3)</sup>
SL	Single-color LED selectable steady/flash <sup>(4)</sup>
ML	Three-color LED <sup>(5) (6)</sup>
BL	LED strobe selectable single/double flash <sup>(7)</sup>

d	
Lens Color	
Code	Description
345	Green, red, amber <sup>(6)</sup>
3	Green
4	Red
5	Amber
6	Blue
7	Clear
8	Yellow

- (1) Surface mount base must be installed with rough wall plate for UL Type 4/4X/13 rating, otherwise UL Type 1 only.
- (2) 25 mm tube mount is UL Recognized, other mounting types are UL Listed.
- (3) Not available in 12V AC/DC.
- (4) SL function uses 35 (16...60V AC/16...80V DC) and 45 (90...250V AC/DC) voltage codes only
- (5) ML function uses 24, 10, and 20 voltage codes only.
- (6) Green, Red, Amber color combination is only valid for the three color LED selection (ML).
- (7) BL function uses 35 (19...52V AC/16...60V DC), 10, and 20 voltage codes only.

### Bulletin 855BM — 120 mm Beacons

855BM –  $\frac{S}{a}$   $\frac{10}{b}$   $\frac{FH}{c}$   $\frac{4}{d}$

a	
Base Type	
Code	Description
S	Surface mount <sup>(1)</sup>
N	1/2 in. NPT conduit mount
T	25 mm tube mount

b	
Voltage	
Code	Description
12	12V AC/DC
24	24V AC/DC
10	120V AC
20	240V AC

c	
Function	
Code	Description
DH	Steady halogen
FH	Flashing halogen
RH	Rotating halogen
BR	Xenon tube strobe <sup>(2)</sup>

d	
Lens Color	
Code	Description
3	Green
4	Red
5	Amber
6	Blue
7	Clear
8	Yellow

- (1) When used outdoors surface mount base must be installed with rough wall plate for UL Type 4/4X/13 rating, otherwise UL Type 1 only.
- (2) Not available in 12V AC/DC.

**Bulletin 855BL — 160 mm Beacons**

855BL    -     $\frac{N}{a}$      $\frac{24}{b}$      $\frac{DH}{c}$      $\frac{5}{d}$

a	
Base Type	
Code	Description
S	Surface mount <sup>(1)</sup>
N	1/2 in. NPT conduit mount
T	25 mm tube mount

b	
Voltage	
Code	Description
12	12V AC/DC
24	24V AC/DC
10	120V AC
20	240V AC

c	
Function	
Code	Description
DH	Steady halogen
FH	Flashing halogen
RH	Rotating halogen
BR	Xenon tube strobe <sup>(2)</sup>

d	
Lens Color	
Code	Description
3	Green
4	Red
5	Amber
6	Blue
7	Clear
8	Yellow

(1) When used outdoors surface mount base must be installed with rough wall plate for UL Type 4/4X/13 rating, otherwise UL Type 1 only.  
 (2) Not available in 12V AC/DC.

**Specifications (Bulletin 855BS, 855BM, 855BL)**

**Table 30 - Technical**

Attribute		Value
Housing	Base material	Polycarbonate
	Lenses (all)	Polycarbonate, red, amber, yellow, green, blue, and clear
	Pole mount base	90 mm: polycarbonate 120 mm and 160 mm: aluminum die-cast, powder-coated
	Bracket	Powder-coated steel
Protection class		Type 4/4X/13 (surface mount base must be installed with rough wall plate for Type 4/4X/13 rating), IP65
Terminals (120 mm and 160 mm only)		Up to 2.5 mm <sup>2</sup> (14 AWG)
Temperature Ranges	Operating	-25...+60 °C (-13...+140 °F); -25...+50 °C (-13...+122 °F), 120 mm and 160 mm steady halogen, and 120/240V AC single-color LED
	Storage	-25...+85 °C (-13...+185 °F)
Mounting	Horizontal surfaces:	Indoor — direct to the surface, outdoor — with additional metal plate between surface and base part
	Vertical surfaces	With bracket, for indoor and outdoor
	Tube or NPT conduit	For indoor and outdoor

**Table 31 - Electrical and Mechanical**

Attribute		Steady Halogen			Flashing Halogen			Strobe			Rotating Light		
		160 mm	120 mm	90 mm	160 mm	120 mm	90 mm	160 mm	120 mm	90 mm	160 mm	120 mm	90 mm
Halogen bulb	[W]	50	35	20	50	35	20	—	—	—	50	35	20
Bulb socket		GY6.35	GY6.35	GY6.35	GY6.35	GY6.35	GY6.35	—	—	—	GY6.35	GY6.35	GY6.35
Strobe energy	[J]	—	—	—	—	—	—	31	15	7	—	—	—
Xenon strobe tube		—	—	—	—	—	—	Helical	Helical	Helical	—	—	—
Strobe tube socket		—	—	—	—	—	—	Terminals	Terminals	Terminals	—	—	—
Flashing/Strobe frequency	[Hz]	—	—	—	1	1	1	1	1	1	—	—	—
Rotating speed - selectable via jumper wire	[rpm]	—	—	—	—	—	—	—	—	—	90/180	90/180	90/180
Nominal Current [A]	12V AC/DC	4	2.9	1.6	4.2	3	1.6	—	—	—	4.2	3.2	1.8
	24V AC/DC	2.1	1.5	0.8	2.1	1.5	0.8	1.9	1.3	0.48	2.3	1.7	0.95
	110/120V AC, 50/60 Hz	0.42	0.329	0.2	0.42	0.3	0.2	0.7	0.32	0.21	0.58	0.32	0.30
	230/240V AC, 50 Hz	0.21	0.15	0.09	0.21	0.15	0.09	0.35	0.15	0.12	0.39	0.17	0.27
Weight [g]	Surface Mount	900	500	251	900	500	251	900	500	296	900	500	378
	Tube Mount	900	500	424	900	500	424	900	500	469	900	500	551
Attribute		90 mm											
		Single-color LED			Three-color LED			Strobe LED					
Nominal Current [mA]	24V AC/DC	—			155			—					
	110/120V AC, 50/60 Hz	—			100			70					
	230/240V AC, 50 Hz	—			105			70					
	24/48V AC/DC, 50/60 Hz	230...270 (16...60V AC/ 16...80V DC)			—			300 (19...52V AC/ 16...60V DC)					
	120/240V AC	38...43 mA (90...250V AC)			—			—					
Weight [g]	Surface Mount	250											
	Tube Mount	450											

**Standards Compliance**

- UL 508
- EN/IEC 60947-1
- EN/IEC 60947-5-1
- CSA C22.2 No. 14

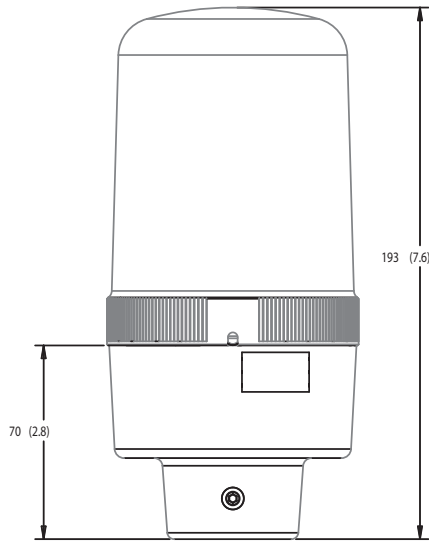
**Certifications**

- cULus Listed (File No. E14840, Guides NKCR, NKCR7)
- CE Marked

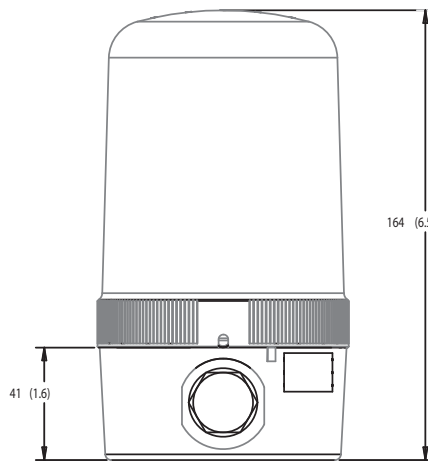
### Approximate Dimensions (Bulletin 855BS, 855BM, 855BL)

Dimensions in millimeters (inches). Dimensions are not intended to be used for manufacturing purposes.

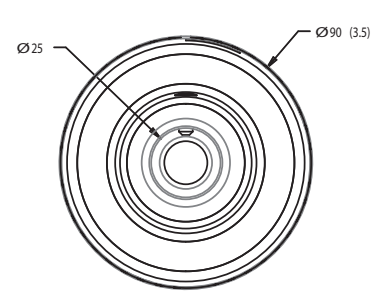
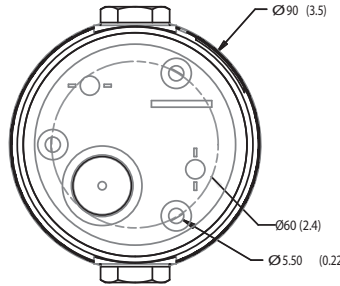
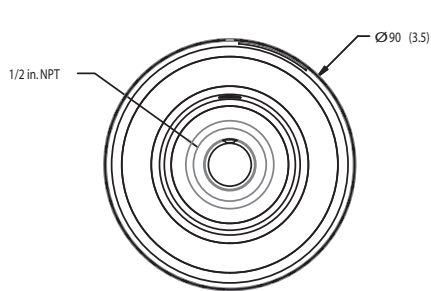
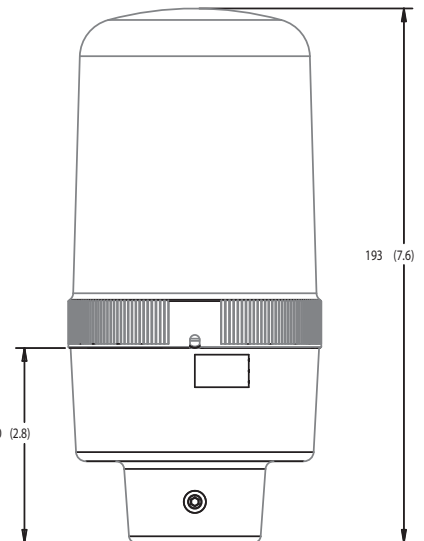
**90 mm Beacon, NPT Conduit Mount**



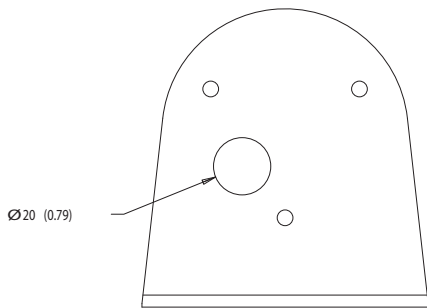
**90 mm Beacon, Surface Mount**



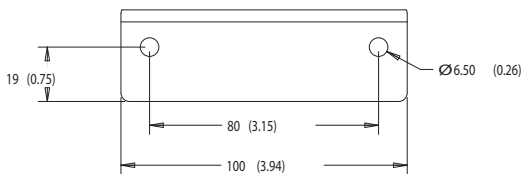
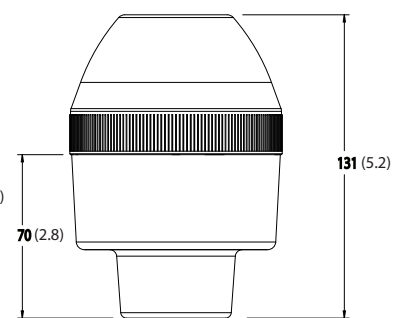
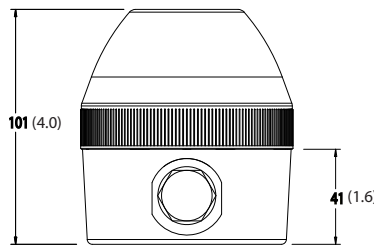
**90 mm Beacon, Tube Mount**



**90 mm Beacon, Vertical Bracket**

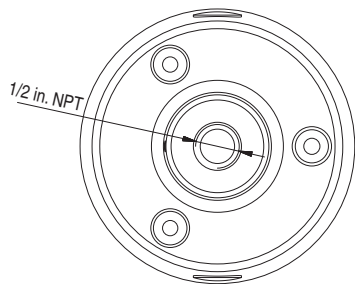
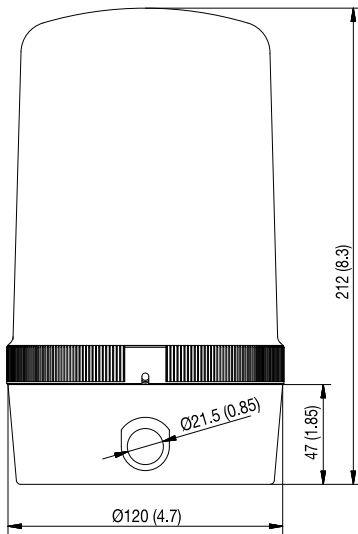


**90 mm LED Beacon**

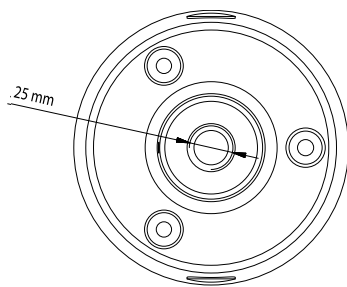
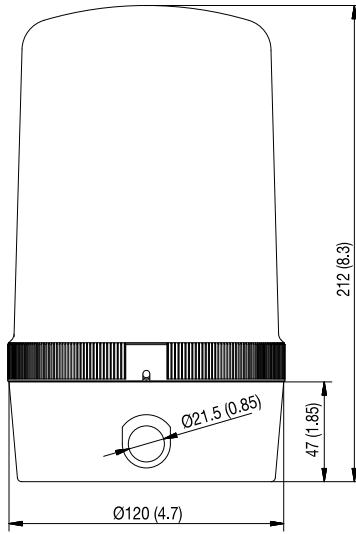


Dimensions in millimeters (inches). Dimensions are not intended to be used for manufacturing purposes.

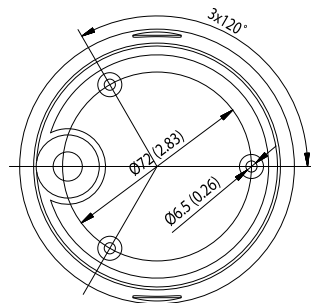
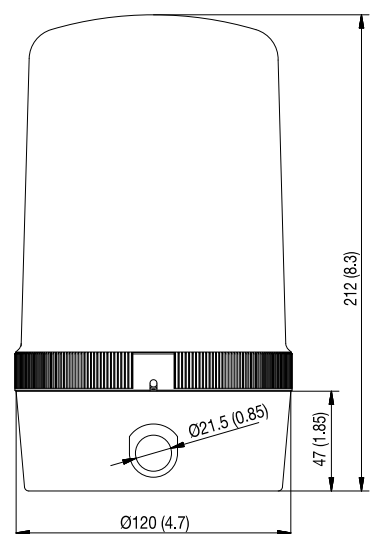
**120 mm Beacon, NPT Conduit Mount**



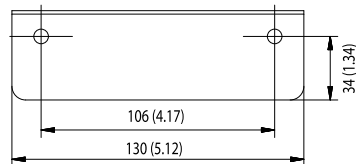
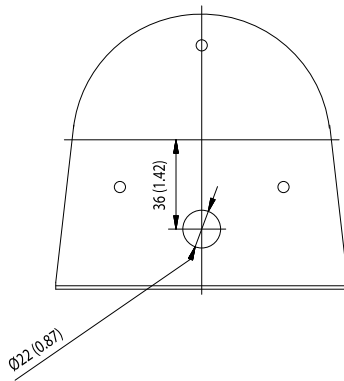
**120 mm Beacon, Surface Mount**



**120 mm Beacon, Tube Mount**

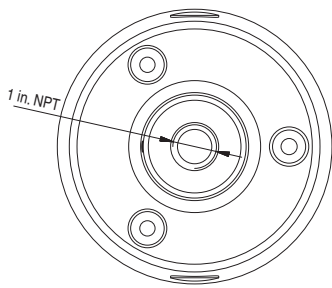
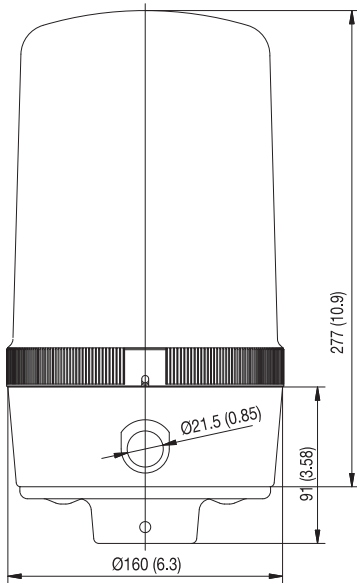


**120 mm Beacon, Vertical Bracket**

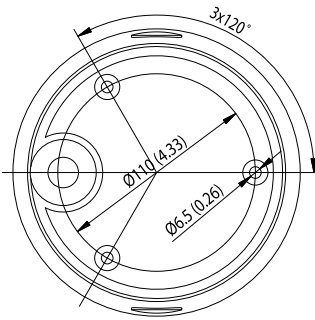
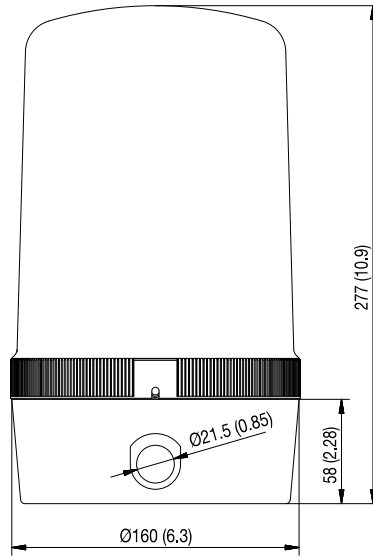


Dimensions in millimeters (inches). Dimensions are not intended to be used for manufacturing purposes.

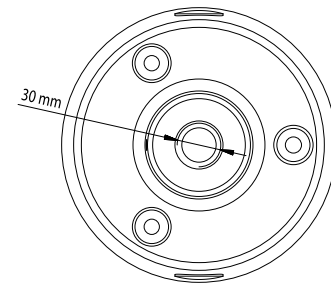
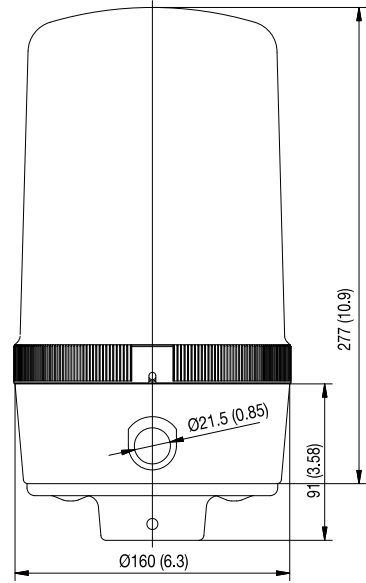
**160 mm Beacon, NPT Conduit Mount**



**160 mm Beacon, Surface Mount**



**160 mm Beacon, Tube Mount**



**160 mm Beacon, Vertical Bracket**

